



GibbsCAM[®]

ADVEON TOOL LIBRARY

1

Establish catalogue library

The ISO 13399 cutting tool data standard lets you work with tools from any supplier and assures the accuracy of the geometrical information.

2

Develop your own library

Pick the tools that you use in your daily work. Overview and maintain your assortment.

3

Create assembly

Build your tool assemblies quickly and safely and see immediate results in 2D and 3D. Instantly export to GibbsCAM.

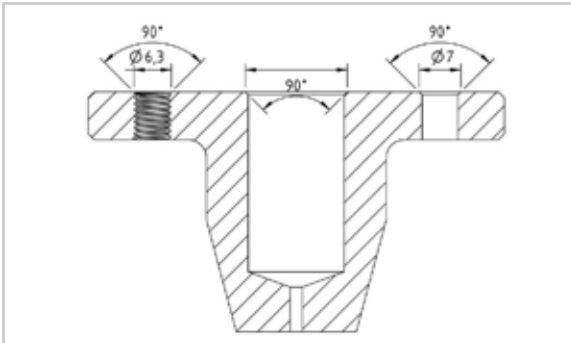


Scan the code to learn more,
or visit www.adveontools.com.

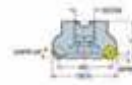


Adveon™ is an open tool library integrated with GibbsCAM.

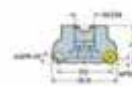
Drawing



Adveon Catalog area

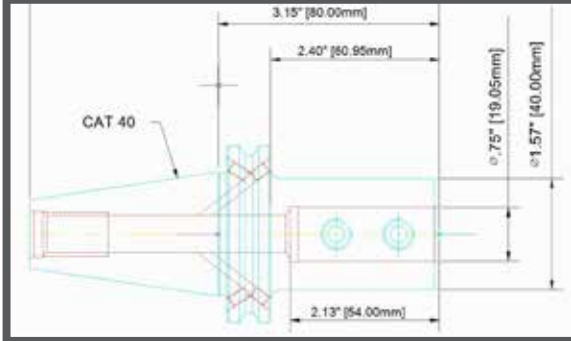


345-100Q32-13M
Face milling cutter - indexable
CoroMill 345, Tool Item, Milling



345-125Q40-13H
Face milling cutter - indexable
CoroMill 345, Tool Item, Milling

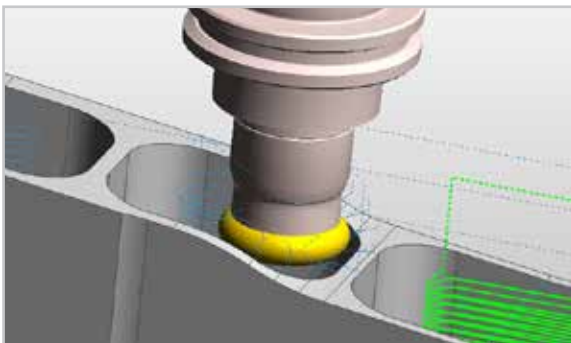
Adveon My items



Adveon My assemblies



CAM simulation



Code export



Post processor

```
G17
G2 X13.000 Y0.0 I0.0 J42.000
G1 Y197.000
G2 X53.000 Y237.000 I40.000 J0.0
G1 X147.000
G2 X187.000 Y197.000 I0.0 J-40.000
G1 Y53.000
G2 X147.000 Y13.000 I-40.000 J0.0
G1 X106.000
G2 X66.000 Y53.000 I0.0 J40.000
G1 Y144.000
G2 X106.000 Y184.000 I40.000 J0.0
G1 X126.500
Y70.000
```

Machining



GibbsCAM[®]

Gibbs and Associates

A Cimatron Company
Tel: 805.523.0004, 800.654.9399
Fax: 805.523.0006
www.GibbsCAM.com

© 2014 Gibbs and Associates, a Cimatron Company. All rights reserved. Adveon™ is a tool library system developed by Sandvik Coromant and marketed by authorized partner Gibbs and Associates, A Cimatron Company. The Gibbs and GibbsCAM logos, GibbsCAM, Virtual Gibbs and "Powerfully Simple. Simply Powerful." are either trademark(s) or registered trademark(s) of Gibbs and Associates in the United States and/or other countries. All other brand or product names are trademarks or registered trademarks of their respective owners. This document is for informational purposes only and is subject to change. MLG184/PDF/0814

Cimatron
GROUP